



FEATURES

- The next generation of curtain
- Suits all body types
- Invisible positive locking clip
- Obstruction-free for full-scale graphics
- No external fittings
- Easy to clean
- Increased safety
- Improved aerodynamics
- Reduced maintenance



SMOOTHSIDE

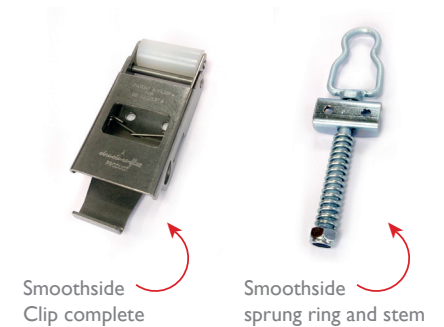
REPLACING THE STRAP AND BUCKLE WITH A CLIP



A unique product with a patented clip and rave combination which provides a fully tensioned buckle free side. Ease of operation and consistent tension are the key features of this kit system to provide the bodybuilder or end user with the ideal platform for load protection and high quality graphics.

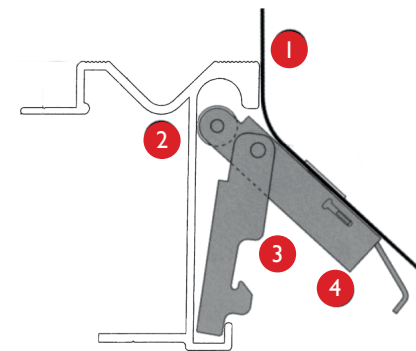
DEVELOPMENT

For over 30 years Structure-flex has been at the forefront of innovation in vehicle tension curtains. From this depth of knowledge comes Smoothside, the revolutionary buckleless curtain system - a major advance over conventional tensioning systems. Smoothside transforms the appearance of a curtainsider to that of a flat-sided box van, more visually appealing than a traditional curtain, allowing maximum use of striking graphics.



HOW IT WORKS

1. Curtain material 900gm2.
2. Smoothside rave.
3. Lower rave edge locator.
4. Positive locking mechanism.



EASY TO USE

The aluminium rave and over centre action clip means Smoothside is easy to use. Just 'locate, press, click' and it's closed; 'press, release' and it's open again. Smoothside improves safety, with no bottom straps or hooks, and allows easy access to all or part of the load.

e: transport@structure-flex.co.uk
t: +44 (0)1263 863100 • www.structure-flex.co.uk



structure-flex®